

MP-06 Point Pull

Surface mount

Features

- Stylish knob design
- Finish and flange shape flexibility

Material

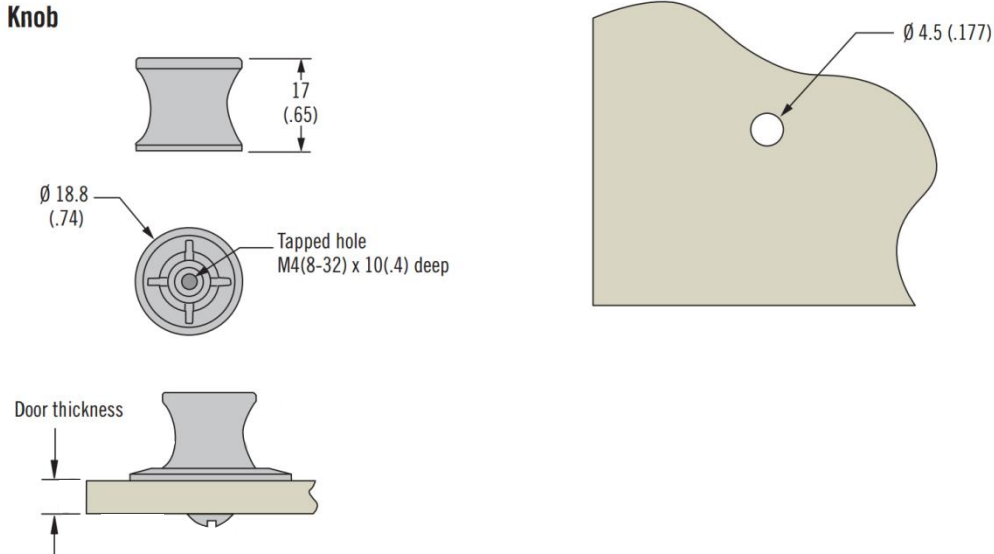
- Zinc alloy, plated or powder coated

Installation Notes

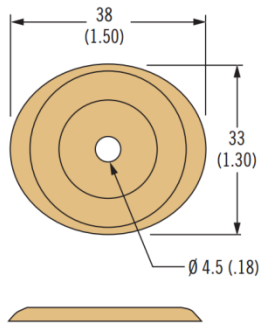
- Screws not supplied
- Calculate screw length using the following formula: Door thickness + 6
- Maximum tightening torque of mounting screws: 1.7 N.m



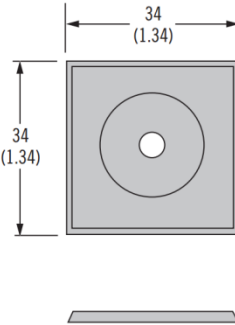
Knob



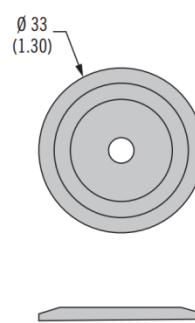
Oval flange



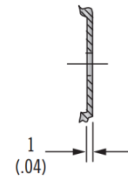
Square flange



Round flange



Thru Flange Section



- S** Style
- 00 Imperial 8 -32 mounting hole
 - 40 Metric M4 mounting hole

- F** Finish
- 10 Chrome, polished
 - 20 Chrome, satin
 - 30 Nickel, brushed
 - 40 Diamond brass
 - 50 Powder coated, black

Knob Part Number

MP - 06 - 1 **S** - **F**

- S** Style
- 10 Oval flange
 - 20 Square flange
 - 30 Round flange

- F** Finish
- 10 Chrome, polished
 - 20 Chrome, satin
 - 30 Nickel, brushed
 - 40 Diamond brass
 - 50 Powder coated, black

Flange Part Number

MP - 06 - 1 **S** - **F**